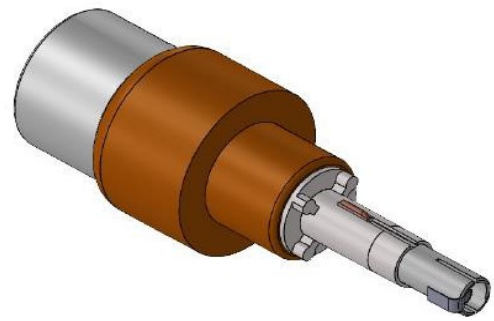


# IMM-OX IMMERSION PROBES OXYGEN + TEMPERATURE

## DESCRIPTION

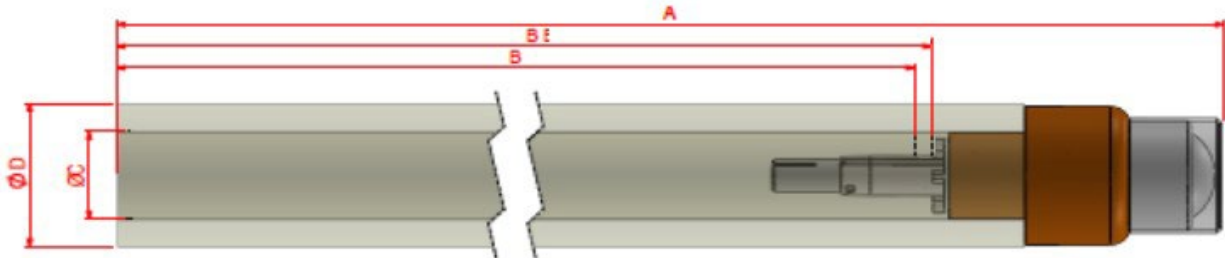
SYSCON Sensors Oxygen Measuring probes are designed for the Steel industry to aid in the refining process by quick and accurate measurement of active oxygen and precise temperature. They are ideal for taking oxygen readings from Electric Arc Furnace (EAF), Basic Oxygen Furnace (BOF), Ladle, or Tundish stations.

SYSCON Oxygen sensors contain an electrochemical cell which generates an output voltage that allows the precise computation of active oxygen present in molten steel. The probe also includes a Type-S thermocouple to provide simultaneous temperature indication. The sensor probes include cardboard tubes which are used to protect the lance and contact block during immersion.



## FEATURES

- ♦ Fast and precise determination of Active Oxygen and Temperature
- ♦ Compatible with industry standard lances and analysis equipment
- ♦ Suited for automatic handling equipment
- ♦ Dual sensors – oxygen cell AND type-S thermocouple for simultaneous readings
- ♦ Economically priced
- ♦ Manufactured under ISO 9001:2015 Quality Standards



Immersion tubes are made from high density convolute wound paper for maximum strength and resilience. Probes with immersion tubes are available in a variety of lengths.

Maintain stock in cool, dry, and well-ventilated location. Paper tube moisture content must remain below 12%

Appropriate PPE required; splashing of molten metal can occur

## Ordering Information

IMM-OX-NA-TBLL	Oxygen / Temperature probe sensor LL (tube length) options: 00" (cartridge only) 32", 44", 72", others on request
IMM-OX-TBLL	Oxygen probe tube only LL (tube length) options: 32", 44", 72", others on request

## Technical Specifications

Thermocouple sensor	Pt / PtPh 10% Type-S Accuracy: +-5F
Oxygen sensor	ZrO (MgO stabilized) / Cr-Cr203 Accuracy: +-5-10 Mv Range: 1-2000 ppm
Slag Cap	Steel and cardboard
Sampling Time	6-7 seconds; 10s max immersion
Tube Length	As required
Tube Diameter	ID: 1.15" (29.3mm), OD: 1.83" (46mm)

## You've Been Using Our Products Since 1975!

SYSCON International, Inc. has manufactured molten metal temperature measuring and thermal analysis systems for a major private-label customer since 1975. Additional SYSCON Sensors products include:

- ♦ TS-1 Handheld Digital Pyrometer
- ♦ WM-1 Wall-Mount Digital Pyrometer
- ♦ FL-1 Thermal Analysis System
- ♦ Single & Multi-Use Thermocouple Tips
- ♦ Sampling Cups
- ♦ Iron and Steel Samplers
- ♦ Repair, Replacement Parts, & Calibration Services